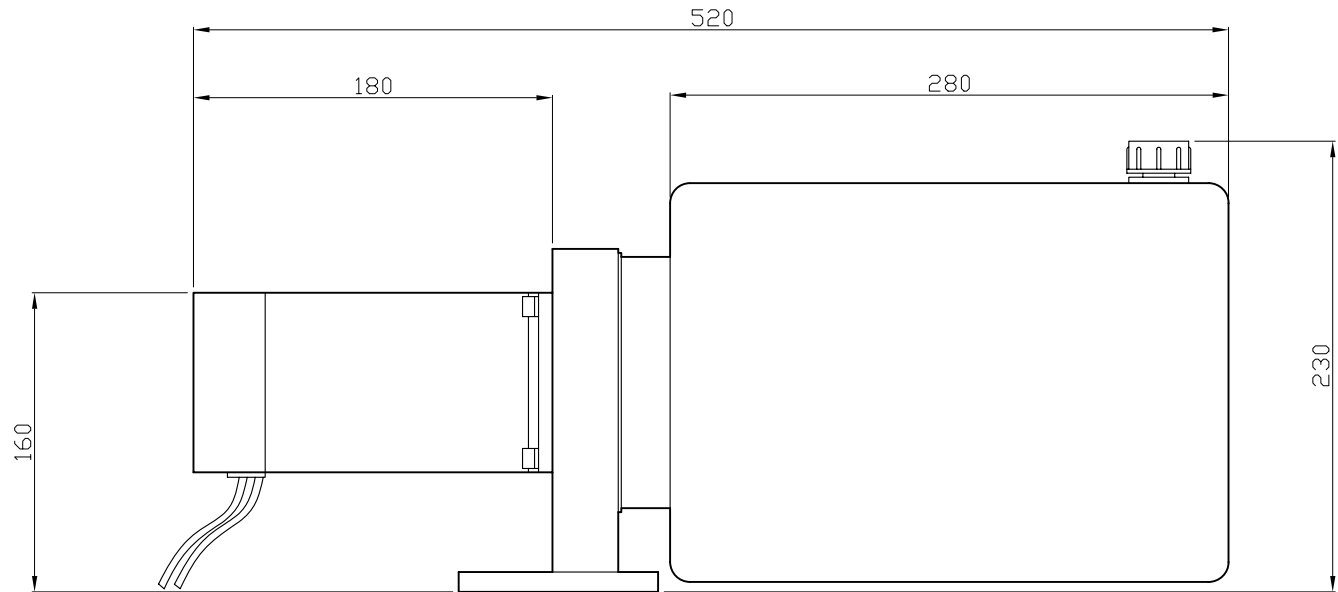
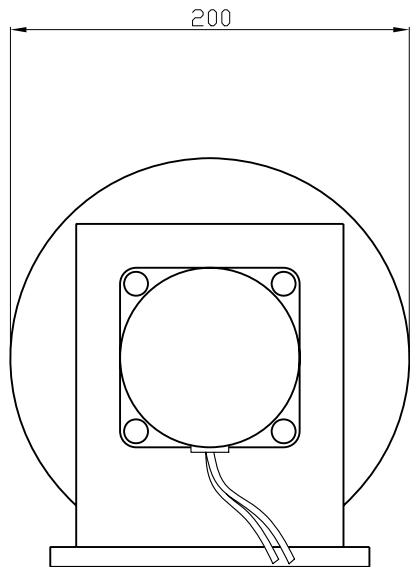
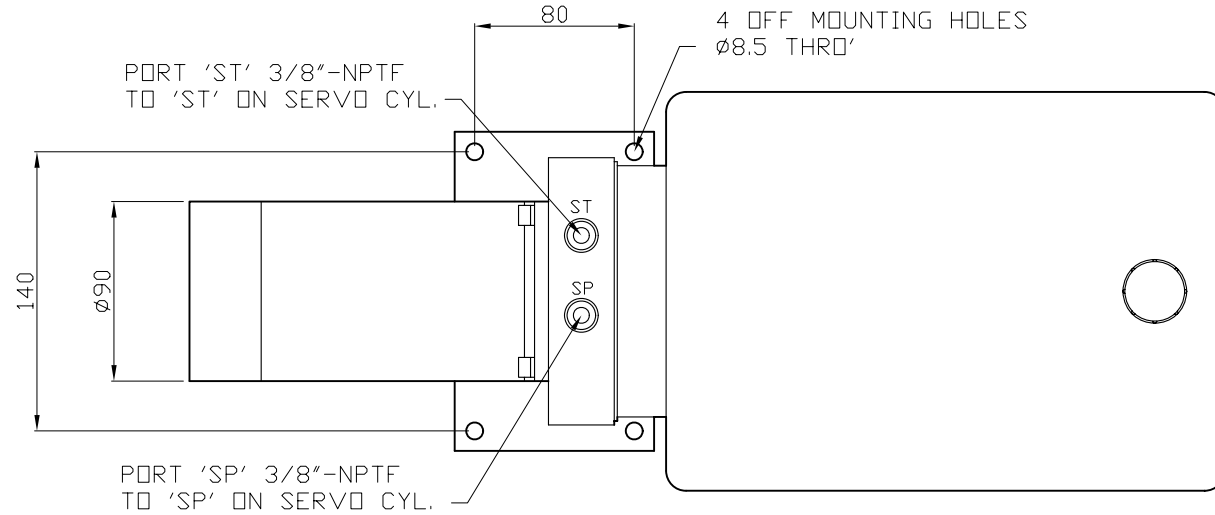


CURRENT DRAW: (24VDC UNIT)  
 TYP. 55A MAX. @ 1500PSI (100BAR)  
 TYP. 35A MAX. @ 1000PSI (70BAR)  
 TYP. 15A NO LOAD

OIL CAPACITY: 8 LITRE NOM.  
 WEIGHT: 8kg WITHOUT OIL



THIS DRAWING IS THE PROPERTY OF HYPRO MARINE AND MUST NOT  
 BE COPIED IN WHOLE OR PART WITHOUT WRITTEN CONSENT

Hypro Marine

TITLE:

ELECTRO-HYDRAULIC  
 12/24VDC PUMP UNIT  
 CONTINUOUS RUNNING

DRAWN: MC

DATE: 23/11/06

THIRD ANGLE  
 PROJECTION

DRG. NO:

HM5110

ISSUE: 2 - 10247